



Introduction	3
Product features and benefits	4
Package contents	5
Dimensions	5
Compatible tube geometries	5
Versatile - compatible bike styles	6
Setting-out suggestions	7
Installation	10
Drilling template	13

Introduction



**CYCLOC**

Store your bike with style

Cycloc's unique ability to carefully combine considered thought with a twist of poetic spirit to create a range of simple, playful and practical products has earned it global recognition with numerous awards and accolades.

Founded in 2006, Cycloc operates from their design studio in London's creative East End and a manufacturing facility in the UK. A team of skilled and enthusiastic distributors and retailers provide support globally.

**SOLO**

Horizontal or vertical cycle display

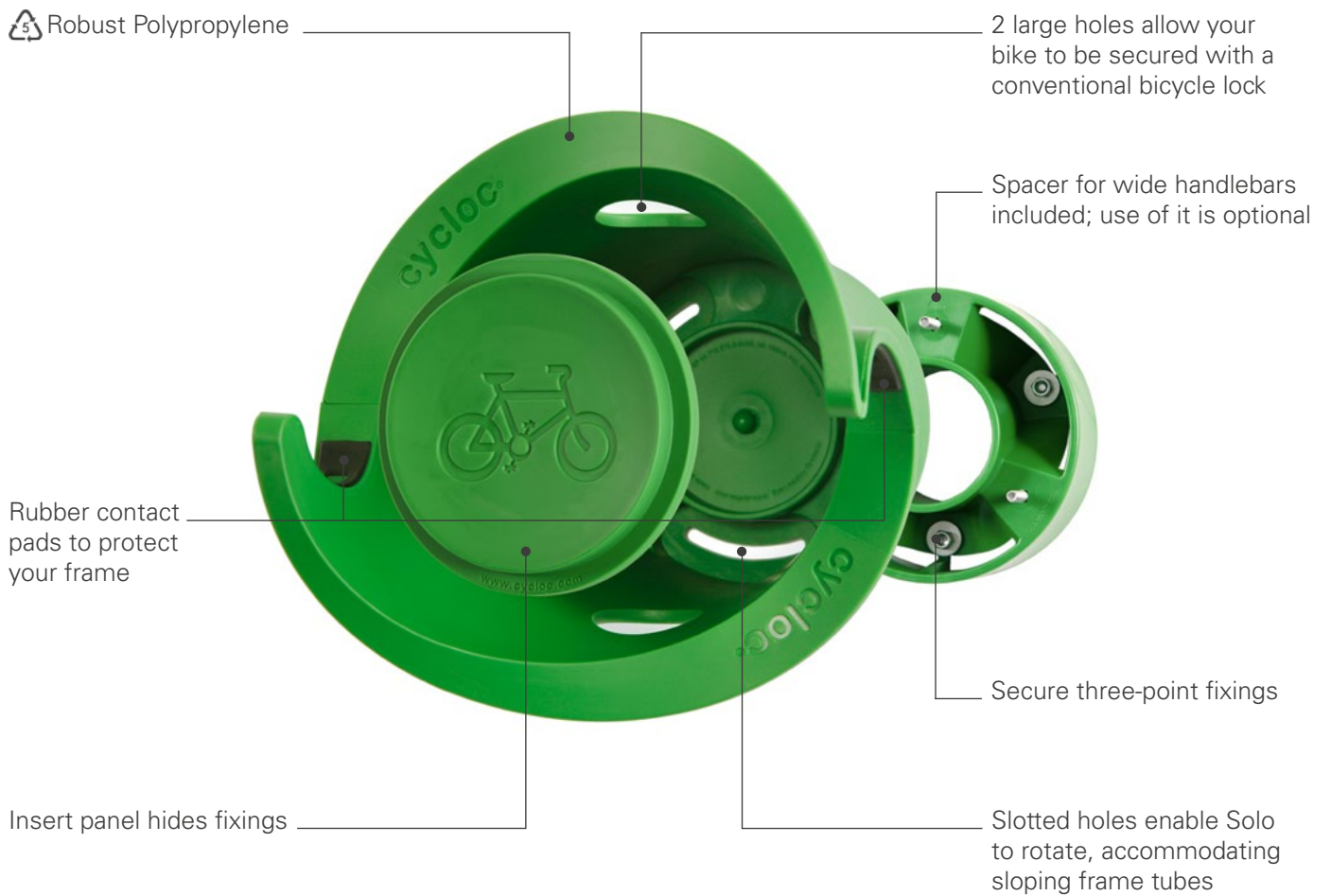
- Elegant and effortless cycle storage, ideal for home, office and retail display applications.
- Store bikes horizontally or vertically, accessories in the centre.
- Secure three point wall fixing, insert panel hides fixings.
- Spacer included to accommodate wide bars.
- Rotate to accommodate frame angles.
- Rubber contact points protect frame.
- Facility to lock bike in place.
- Available in 6 bright colours.

*'The Solo is a minimalistic triumph of form, function and social awareness'*

*UK Design Council*



Product features and benefits



Facility to lock



Store your accessories

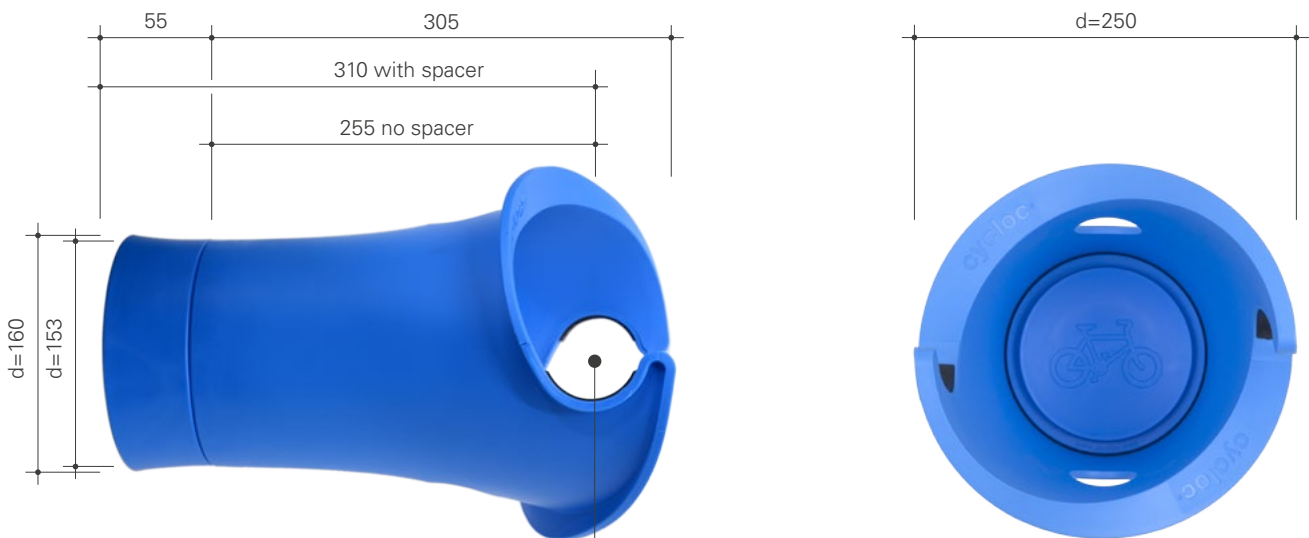


Horizontal or vertical storage

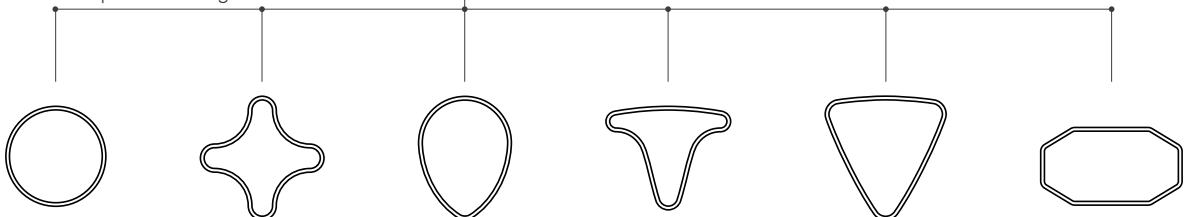
Package contents



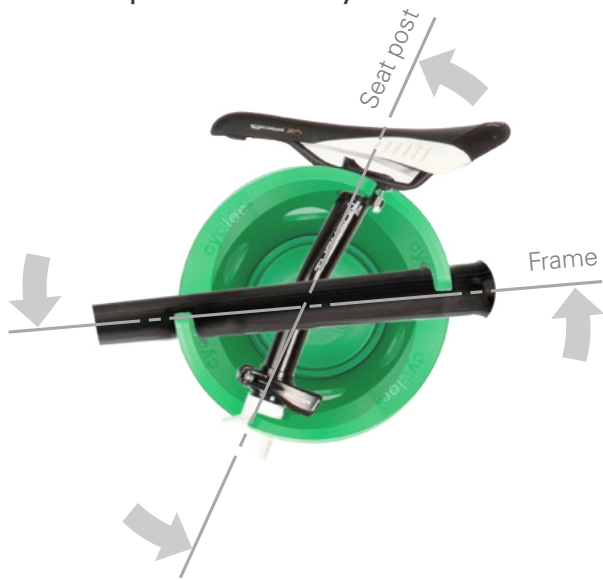
Dimensions (in mm)



Compatible tube geometries 50mm width



Versatile - compatible bike styles



Road bikes



Town bikes



Folding bikes

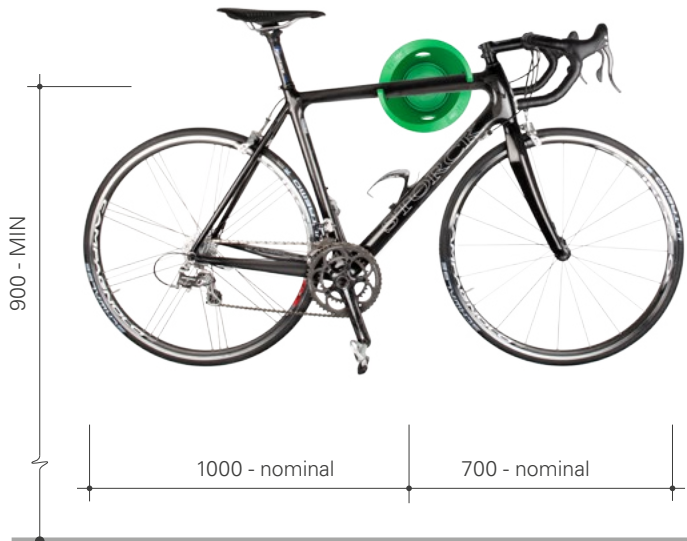


Mountain bikes



Strida bikes

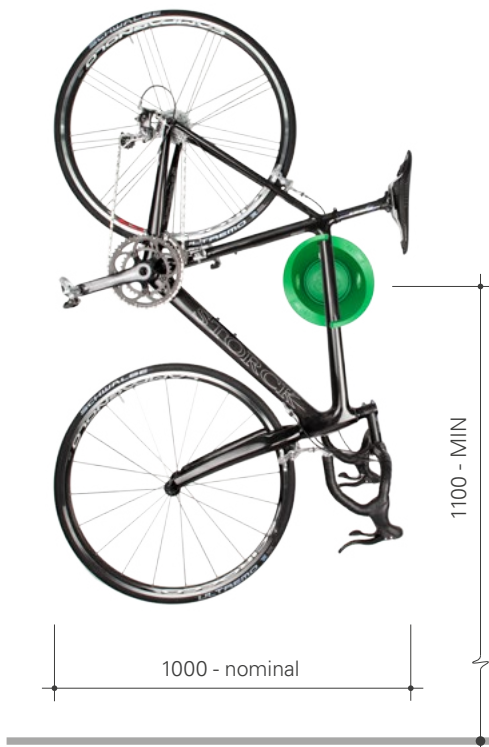
Setting-out suggestions (in mm)



Single bike horizontal - frame



Single bike horizontal - seat post

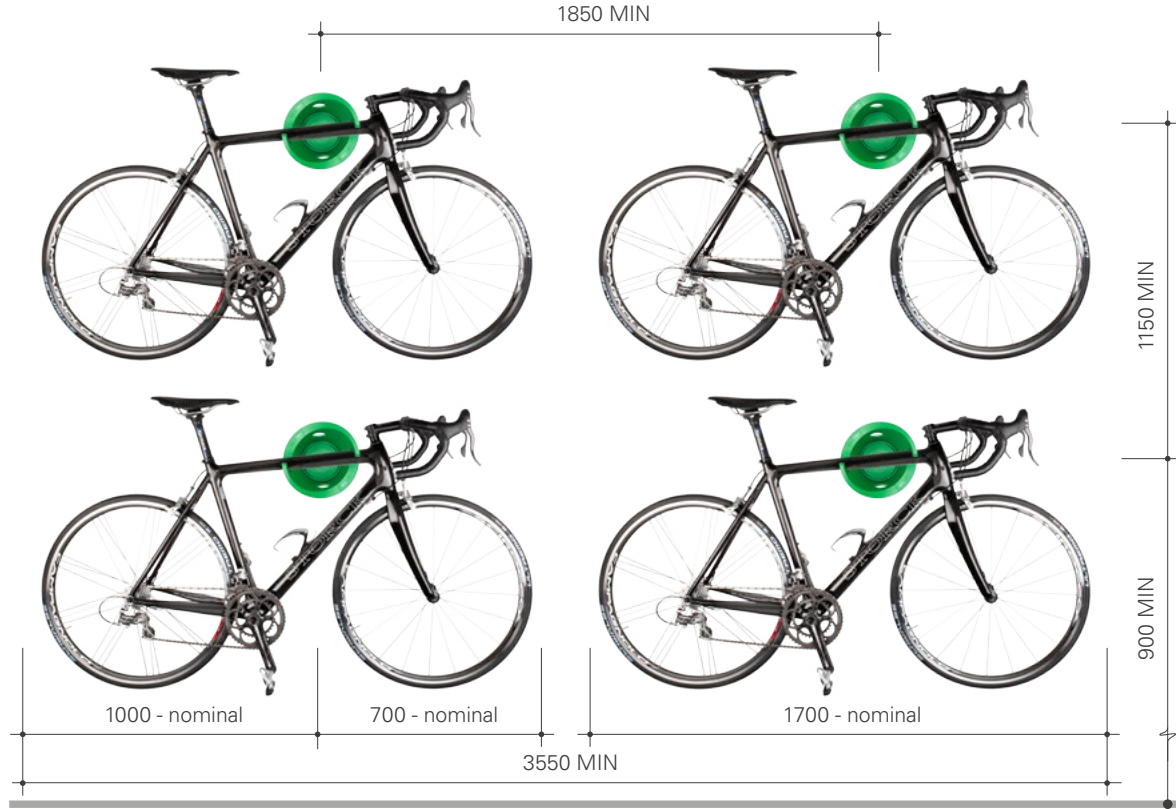


Single bike vertical - frame

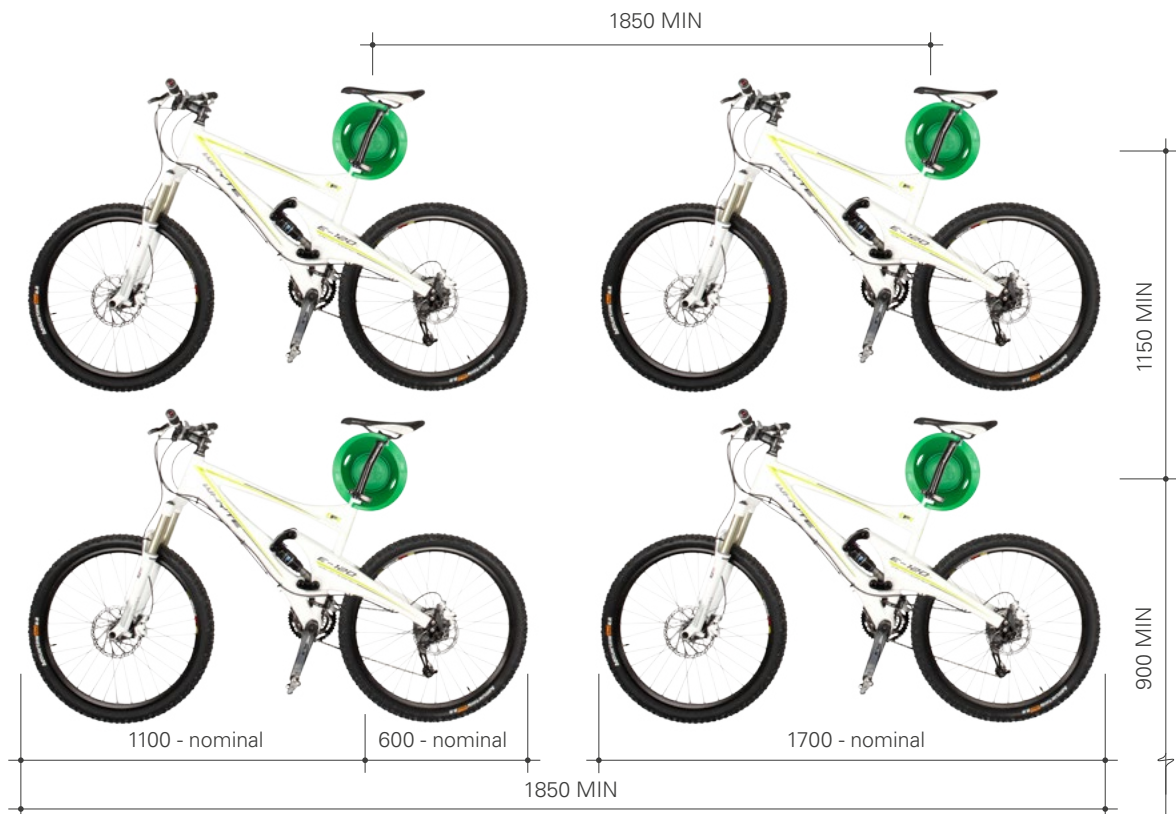


Single bike vertical - seat post

Setting-out suggestions (in mm)



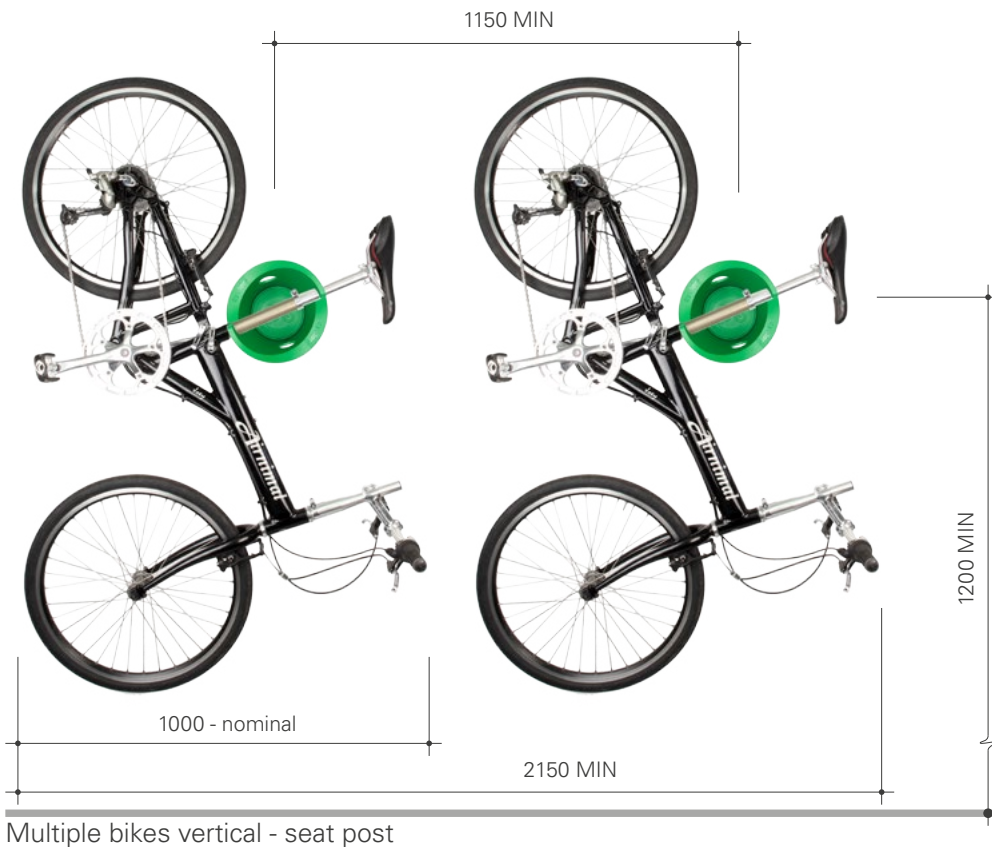
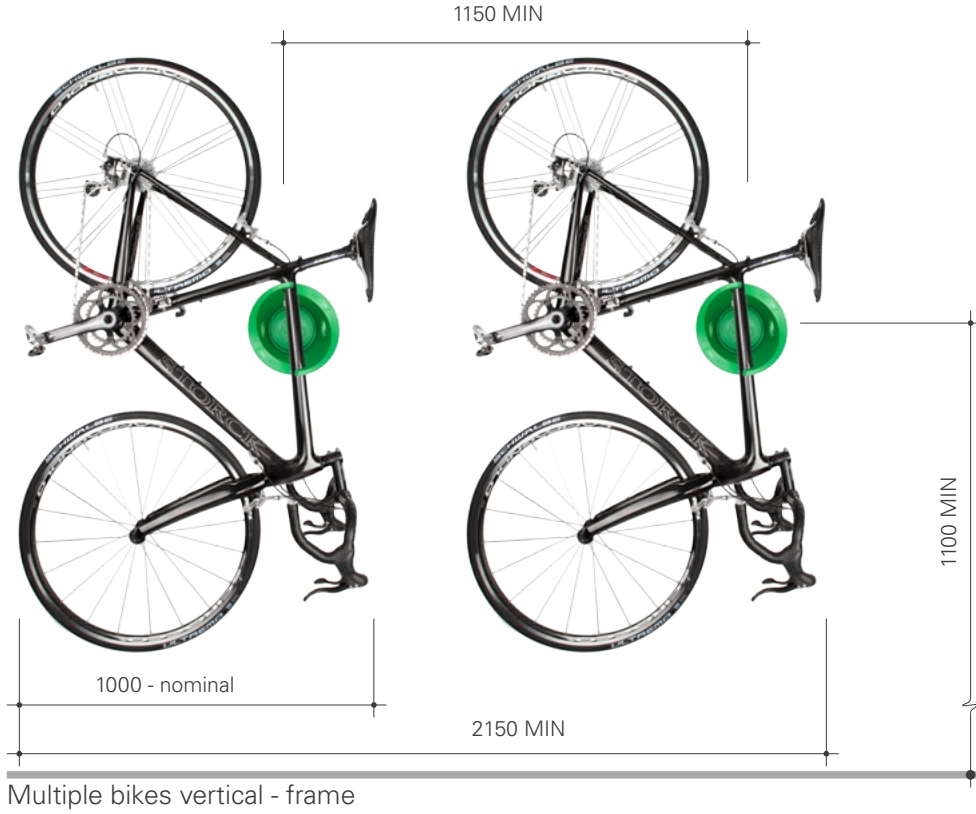
Multiple bikes horizontal - frame



Multiple bikes horizontal - seat post



Setting-out suggestions (in mm)



## Installation

1. Please read these installation instructions thoroughly before commencing installation.
2. The Cycloc products were designed for use on a wall structure in good condition and suitably robust to carry the weight of the bike(s) to be hung from it. It is your responsibility to ensure that the product is installed on a suitable surface.
3. It should be noted that the maximum weights specified in the product guidance are static bike weights and do not allow for any dynamic loading, and are provided for guidance purposes only.
4. Sufficient expertise is required for the correct and safe installation of this product. It is your responsibility to ensure that the installer has a satisfactory working knowledge of the equipment required to achieve a robust and secure installation of the product, including the power tools and mechanical wall plug anchors to be used, and has the knowledge and skills required to determine whether the wall structure is suitable to carry the relevant weight.
5. If any of the above requirements are not complied with when installing the product, neither Cycloc nor Andrew Lang Product Design Ltd shall be liable or otherwise responsible for any damage to goods or injuries sustained because of the incorrect or inappropriate installation of Cycloc products.
6. For more information on product liability and the consequences of incorrect installation of Cycloc products, please refer to our Terms and Conditions, available at <https://cycloc.com/ps/content/3-terms-and-conditions>.

## Tools required\*

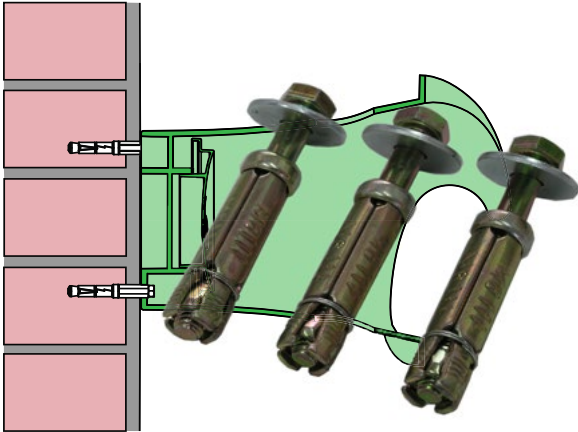


\*Fixings will depend on wall type, see page 11

## Installation

### Fixings

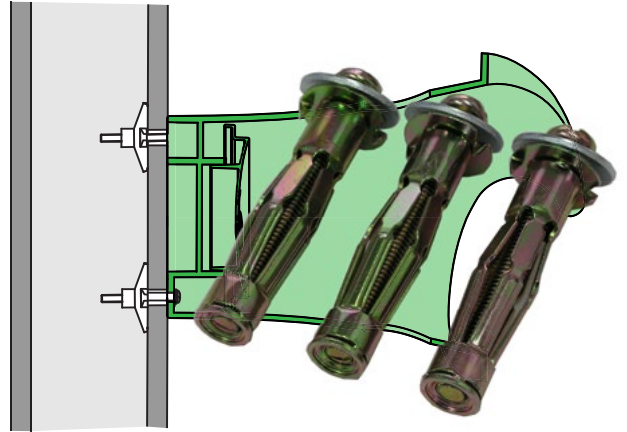
#### MASONRY



x3 M6x70 Loose bolt shield anchor.

NOTE: If your walls have a very thick layer of plaster or render use a longer fixing to ensure the anchor is in the brick.

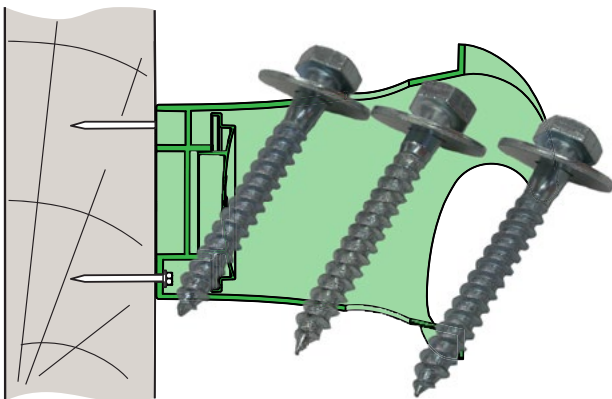
#### HOLLOW



x3 M6x70 Metal hollow wall fixing.

NOTE: when Solo is mounted on a hollow wall, the structure must be capable of taking additional load. Ideally at least one should be into a 'timber stud' - with a suitable size of wood screw.

#### SOLID TIMBER



x3 8x60 Coach screw.

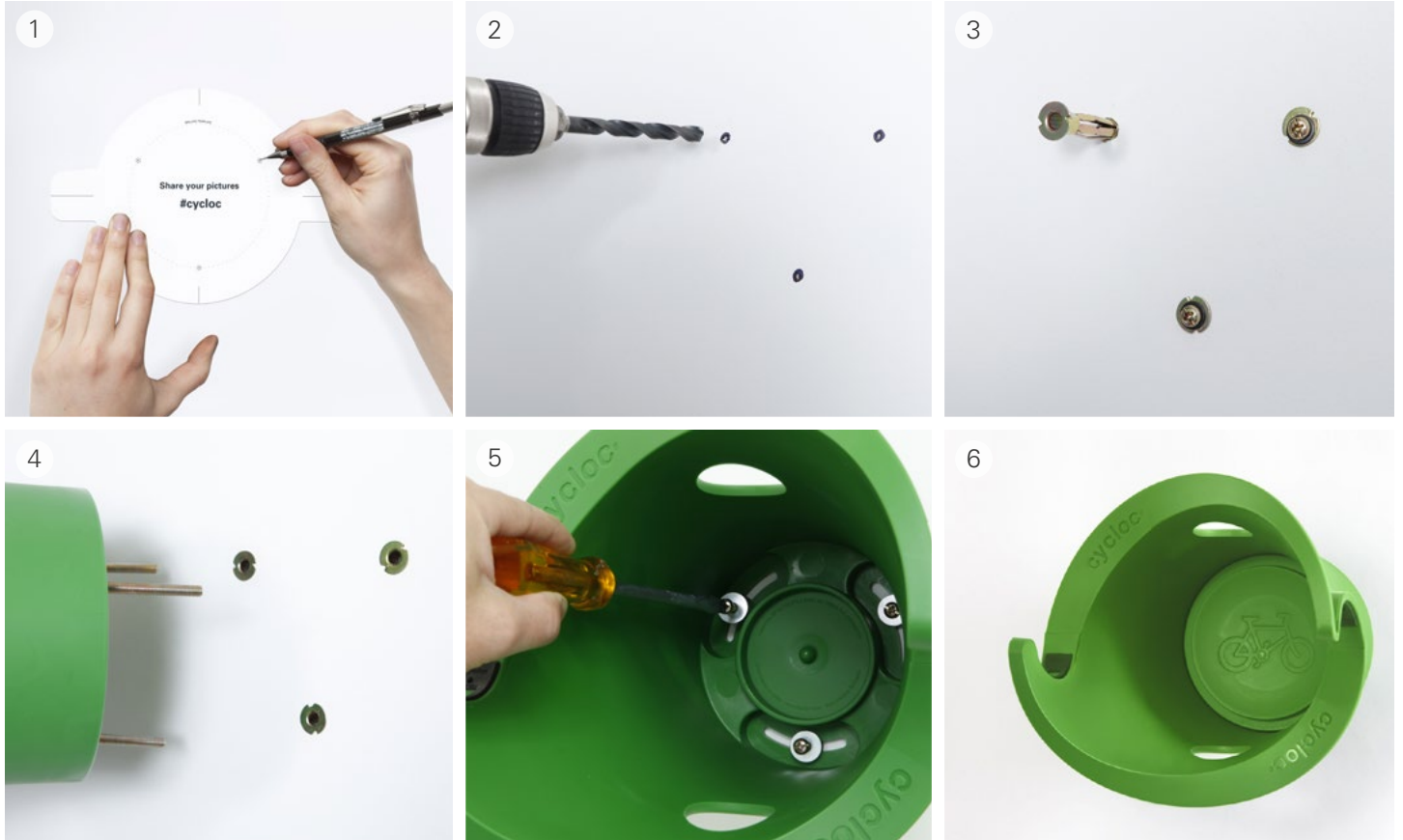
#### WASHER



x3 diam=19mm To be used for all wall types.

FIXINGS NOT SUPPLIED

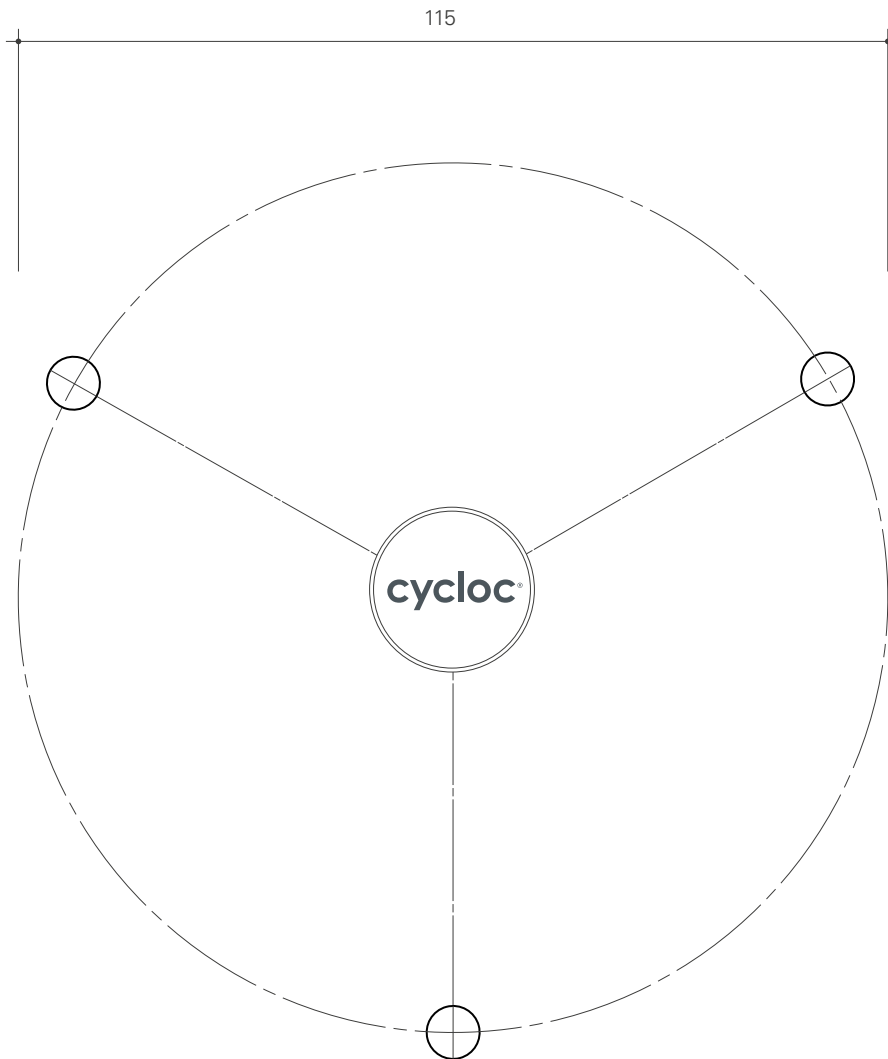
Installation



Spacer (in mm)



Drilling template (in mm)



NOTE:

- To use template, this sheet must be printed on A4 paper.
- Pitch circle's diameter should be 115mm.