



Introduction	3
Product features and benefits	4
Package contents	5
Dimensions	5
Versatile - compatible bike styles	6
Setting-out suggestions	7
Installation	9
Drilling template	12

Introduction



CYCLOC

Store your bike with style

Cycloc's unique ability to carefully combine considered thought with a twist of poetic spirit to create a range of simple, playful and practical products has earned it global recognition with numerous awards and accolades.

Founded in 2006, Cycloc operates from their design studio in London's creative East End and a manufacturing facility in the UK. A team of skilled and enthusiastic distributors and retailers provide support globally.

ENDO

Fold flat vertical cycle display

- Attractive, vertical cycle storage, for home, office or retail applications.
- Protect your wheels and wall with wide rubber contact points; front & rear wheel pad included.
- Hollow hinge accommodates a conventional bicycle lock.
- Ideal for high-density installations with little space.
- Secure four-point fixing; fixings included.
- Available in 6 bright colours.

'Innovative and very clever...I have one and I love it!'

FX Awards judge



Product features and benefits

Main support unit

Hook clips open for bike access

Hollow hinge accommodates a conventional bicycle lock

Fold-flat feature only 32mm thick

Rubber contact point protects your wheel

Rebate on the side for easy opening

Discrete four-point fixings

Robust glass-filled Polypropylene

Integrated wheel pad protects your wall

Wipe-clean rubber insert

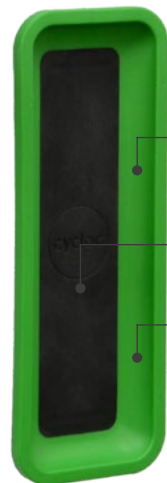


Secondary wheel pad

Integrated wheel pad protects your wall

Wipe-clean rubber insert

Self-adhesive pad on rear or optional two-point screw fixing



Wheel support and pad



Secondary wheel pad

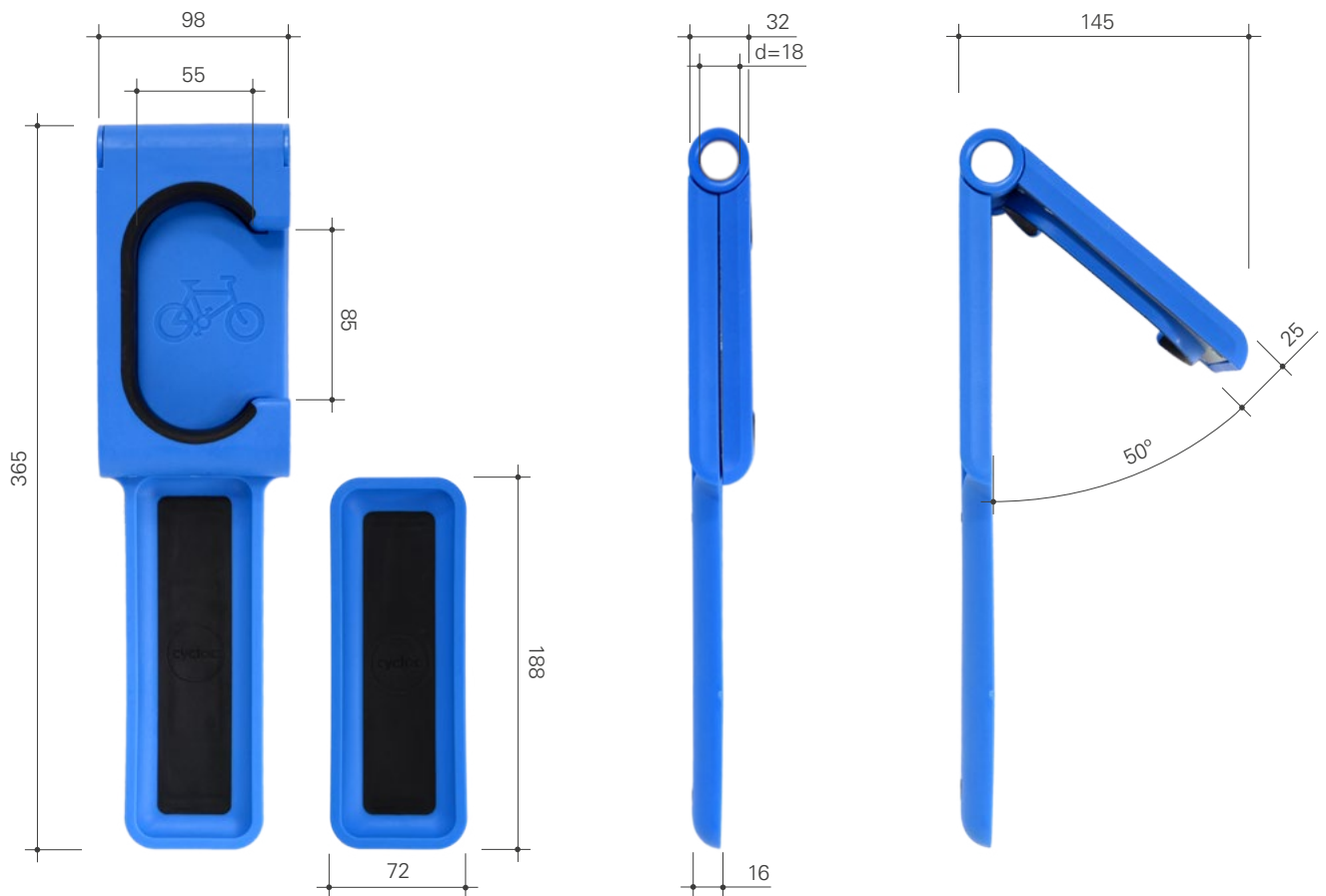


Facility to lock

Package contents



Dimensions (in mm)



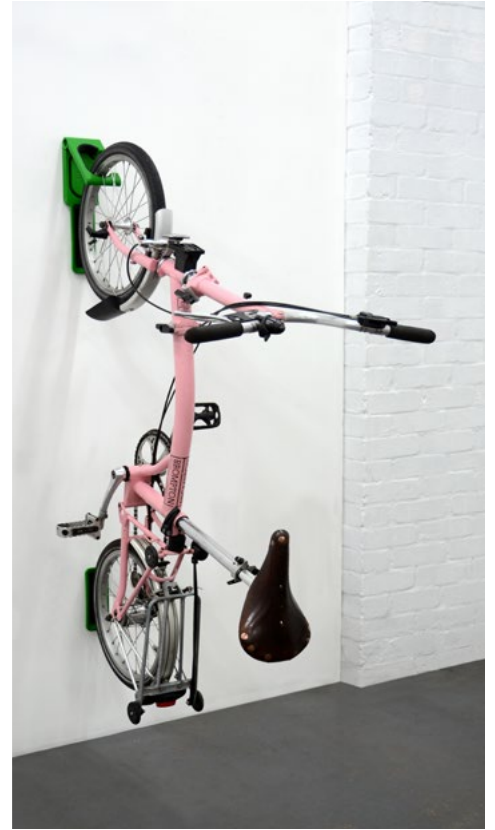
Versatile - compatible bike styles



Road bikes



Mountain bikes



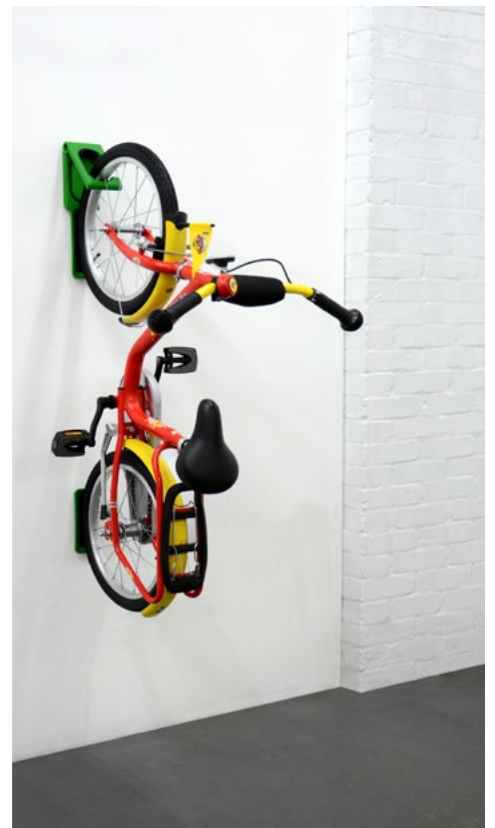
Folding bikes



Small wheel bikes

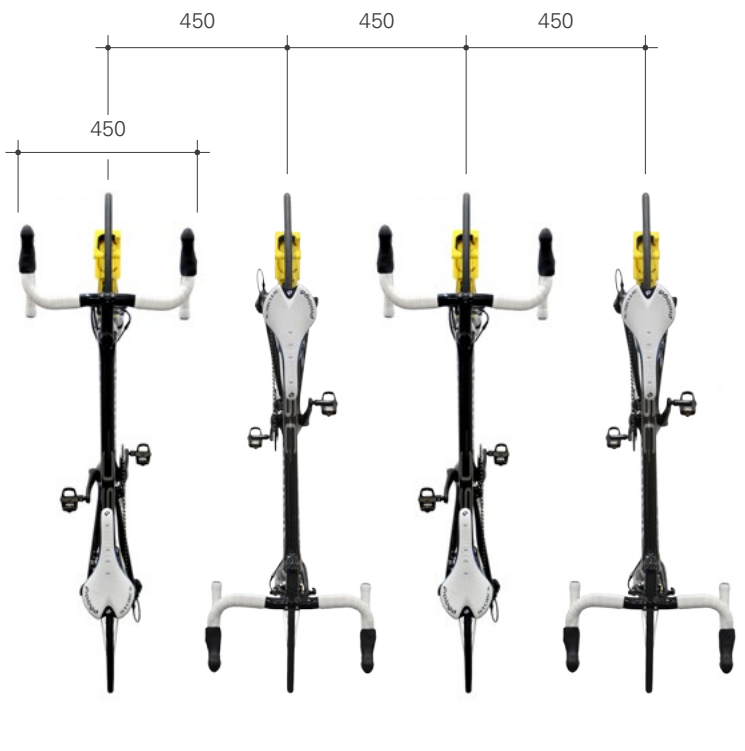
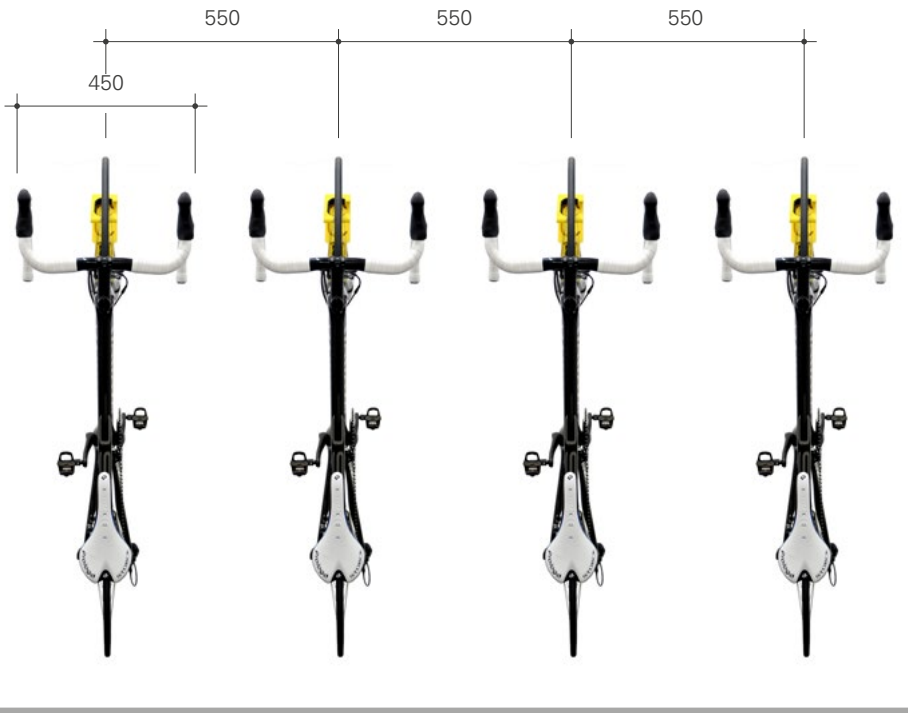


Step-through bikes



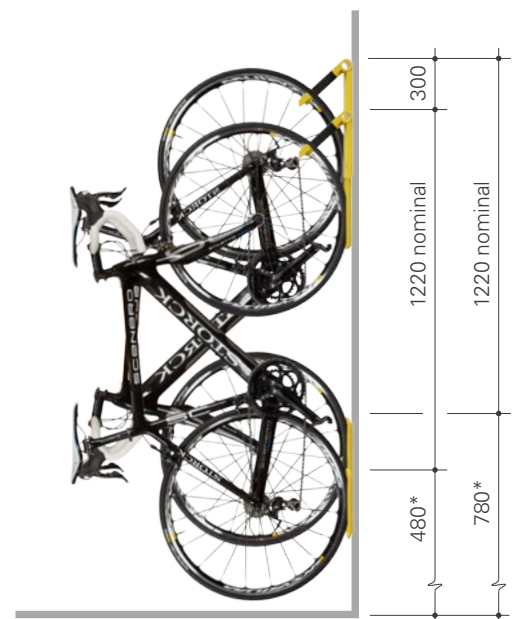
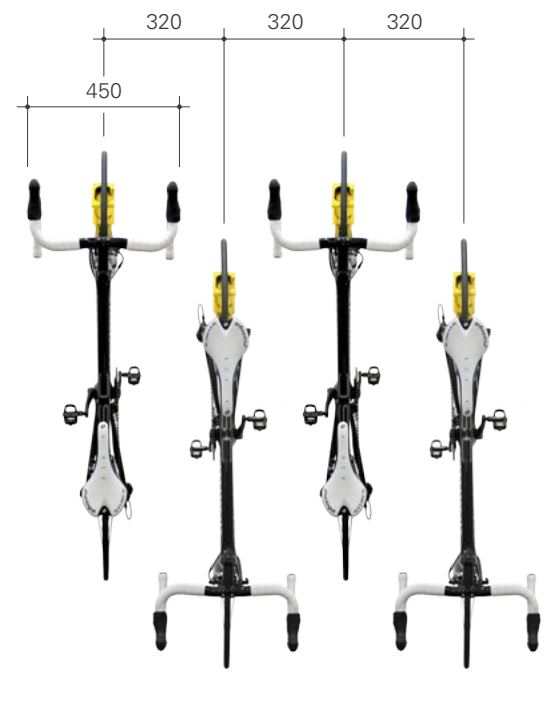
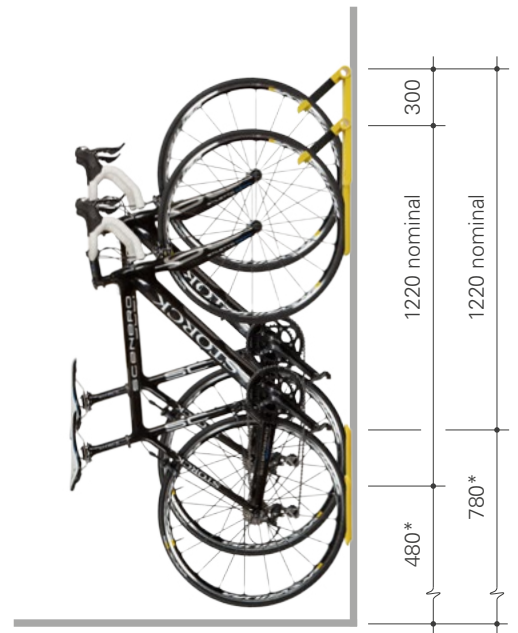
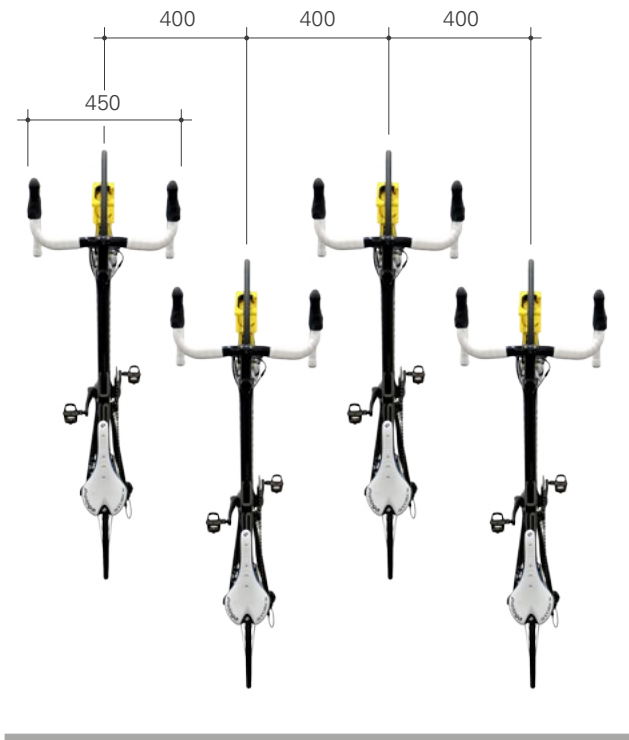
Children's bikes

Setting-out suggestions (in mm)



* see installation

Setting-out suggestions (in mm)



* see installation

Installation

1. Please read these installation instructions thoroughly before commencing installation.
2. The Cycloc products were designed for use on a wall structure in good condition and suitably robust to carry the weight of the bike(s) to be hung from it. It is your responsibility to ensure that the product is installed on a suitable surface.
3. It should be noted that the maximum weights specified in the product guidance are static bike weights and do not allow for any dynamic loading, and are provided for guidance purposes only.
4. Sufficient expertise is required for the correct and safe installation of this product. It is your responsibility to ensure that the installer has a satisfactory working knowledge of the equipment required to achieve a robust and secure installation of the product, including the power tools and mechanical wall plug anchors to be used, and has the knowledge and skills required to determine whether the wall structure is suitable to carry the relevant weight.
5. If any of the above requirements are not complied with when installing the product, neither Cycloc nor Andrew Lang Product Design Ltd shall be liable or otherwise responsible for any damage to goods or injuries sustained because of the incorrect or inappropriate installation of Cycloc products.
6. For more information on product liability and the consequences of incorrect installation of Cycloc products, please refer to our Terms and Conditions, available at <https://cycloc.com/ps/content/3-terms-and-conditions>.

Tools required



Installation

Bike position

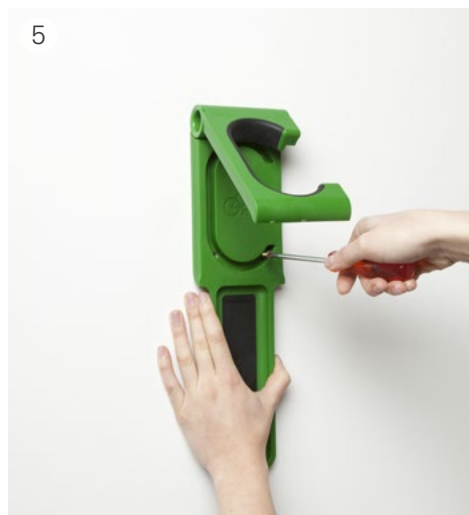
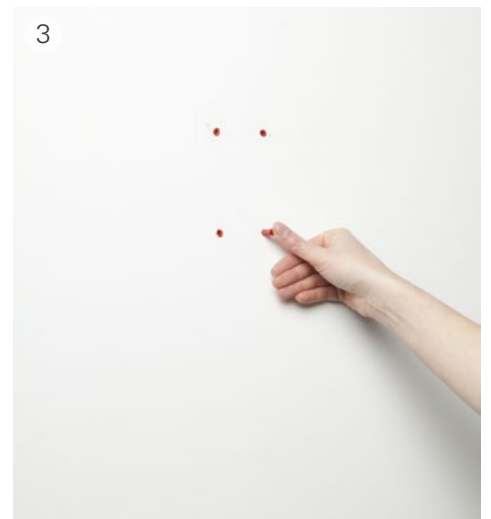
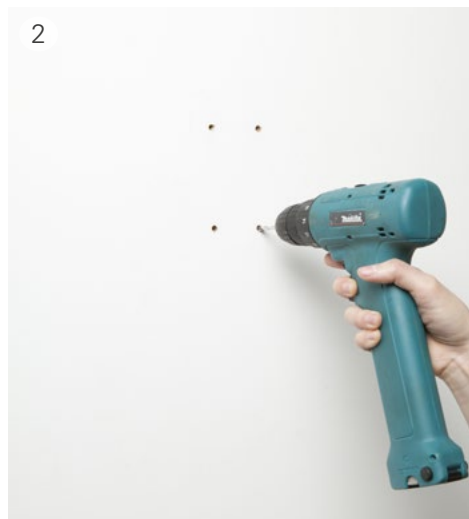


0 - 15 Kg



15 - 20 Kg (max)

Main support



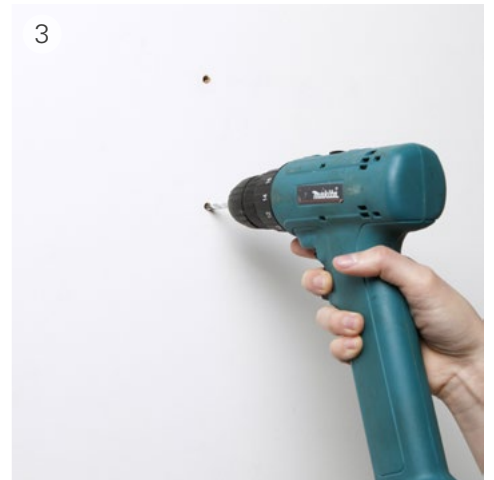
Installation

Secondary wheel pad - Option A or B

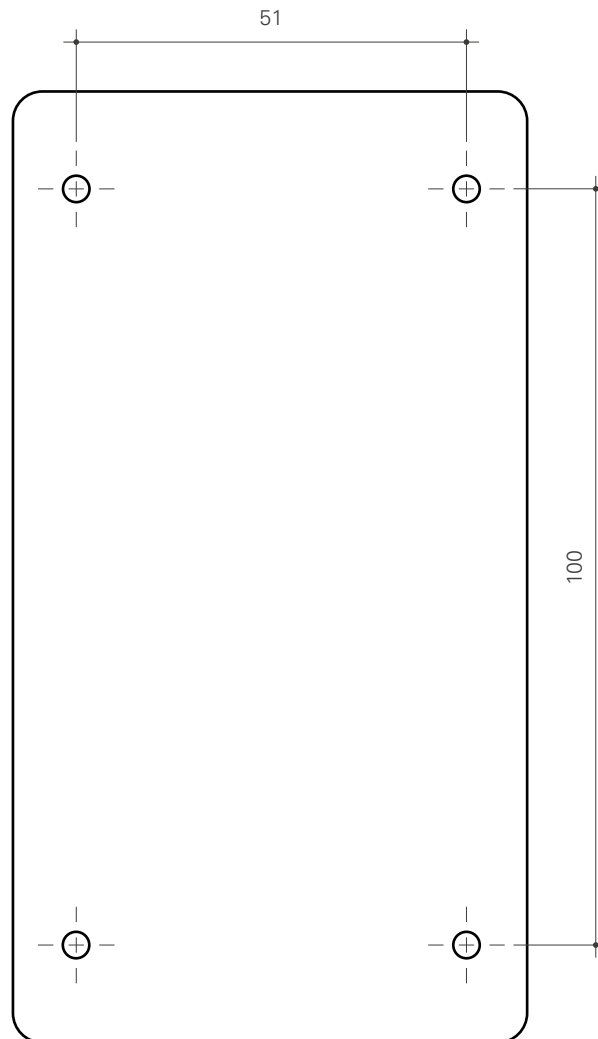
Ⓐ



Ⓑ



Drilling template (in mm)



NOTE:

- To use template, this sheet must be printed on A4 paper.
- Dimension between drilling points should be 100 x 51mm.